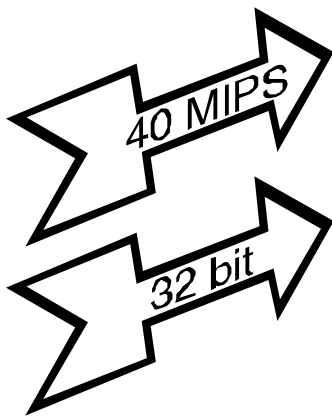


NO RISC, NO FUN



The RISCEMUF

This board is based on the well known PowerPC-RISC[®]-CPU by Motorola. Installed is a special version, which includes chip select logic, timer, counter and interrupt management. An independent floating point increases high performance. Fast burst RAMs are used for constant high throughput also in large applications. The documentation (hardware, sample source codes, data sheets, listings, setup / initialisation samples, etc.) is available on CD.

PowerPC is a trademark of IBM Corp. used by Motorola under license from IBM Corp.

Hardware:

- Motorola 50x CPU, 44 MHz
- Burst RAM 1-4MB, Flash EPROM 1-4MB
- SRAM 32KB and real time clock
- CAN Bus 1Mb, Ethernet (TP, BNC, AUI)
- Serial V24 and RS485 interface
- QSPI serial high speed interface
- 2x16 digital I/O, 16 A/D inputs
- 20 timer, counter, PWM
- Multilayer board, 160x100mm, +7V..16V/6W
- Expansion connector

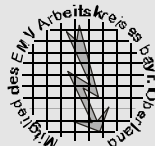
Software:

- Initialisation by Flash EPROM
- BDM debug interface
- Flash EPROM software
- Initialisation source code
- OS-9 real time operating system
- OS-9 board support package
- C++ compiler/assembler
- TCP/IP support with OS-9
- Support by internet
- Programming samples

**A joint project between
Fa. Bals, Hard-und Software and Ing. Büro W. Kanis GmbH.**

Entwicklung, Fertigung und Vertrieb von elektronischen Geräten; Plottservice, Leiterplatten, Leiterplattenbestückung

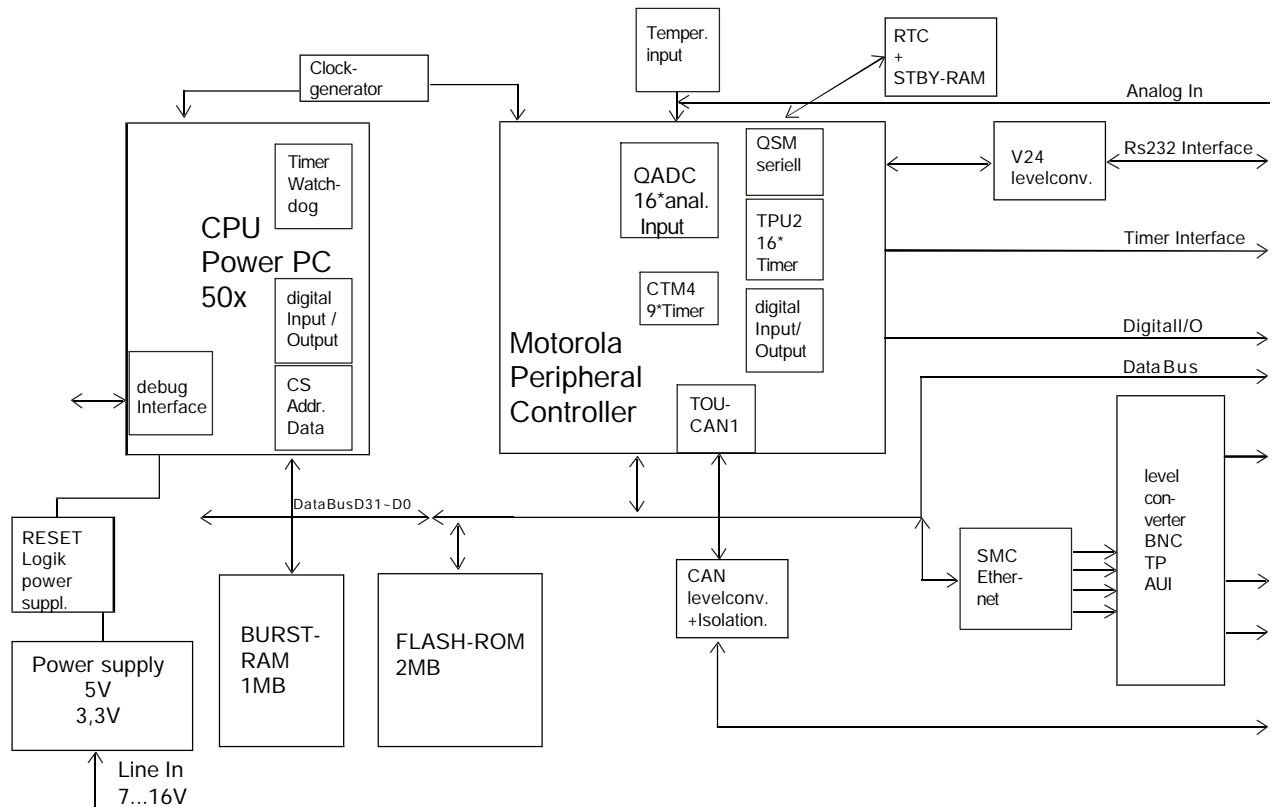
Ing. Büro W. Kanis GmbH
Ortsteil Traubing
Brueckenweg 2
D-82327 Tutzing



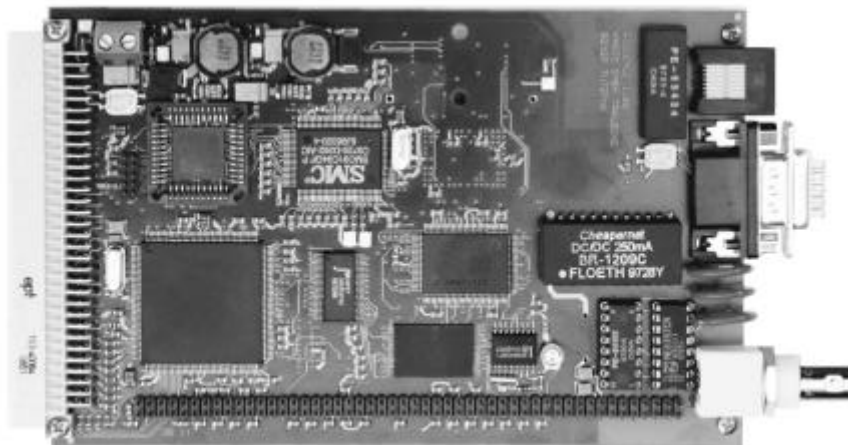
Tel. +49 8157/9355-0
Fax. +49 8157/9355-29
Email info@kanis.de
Internet <http://www.kanis.de>



Block-Diagramm

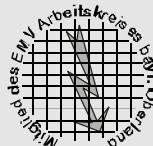


Board



Entwicklung, Fertigung und Vertrieb von elektronischen Geräten; Plottservice, Leiterplatten, Leiterplattenbestückung

Ing. Büro W. Kanis GmbH
Ortsteil Traubing
Brueckenweg 2
D-82327 Tutzing



Tel. +49 8157/9355-0
Fax. +49 8157/9355-29
Email info@kanis.de
Internet http://www.kanis.de

Order Information

1. Hardware + Freeware

CD and hardware

tested board, 1MB ROM und 1MB RAM
PC-cable
96 pin connector
Flash ROM programming software
sample programs
complete documentation

order number: PLB-97563-000

2. Native Software

on CD

source code for driver: serial interface,
CAN-BUS, complete I/O, timer, flashlader

order number: SFT-99966-000

3. Comfort Software Package

on CD

OS-9 Board Support Package
OS-9 driver for complete I/O handling
OS-9 TCP/IP driver

order number: SFT-99965-000

4. Complete Develloping System

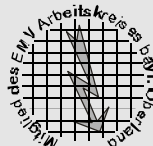
on CD including documentaton

OS-9 C++ compiler including Hawk
source level debugger
full TCP/IP support z.B. NFS, FTP...

order number: SFT-99964-000

Entwicklung, Fertigung und Vertrieb von elektronischen Geräten; Plottservice, Leiterplatten, Leiterplattenbestückung

Ing. Büro W. Kanis GmbH
Ortsteil Traubing
Brueckenweg 2
D-82327 Tutzing



Tel. +49 8157/9355-0
Fax. +49 8157/9355-29
Email info@kanis.de
Internet <http://www.kanis.de>