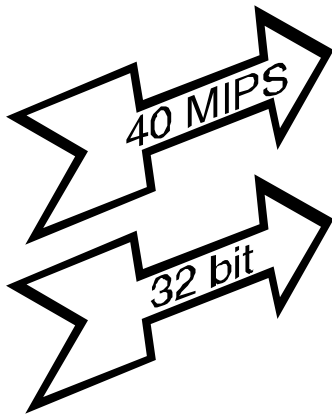


NO RISC, NO FUN



The OAK_EMUF

This board, is based on the well known PowerPC[®]-RISC-CPU of Motorola, like the RISC EMUF. Installed is a special version, with integrated Flash which includes chip select logic, timer, counter and interrupt management, CAN, TUP and many other features. An independent floating point increases high performance. Fast Burst RAMs are used for constant high throughput also in large applications. Documentation (hardware, sample source code, datasheets, listings, setup samples, etc.) are available on CD.

PowerPC is a trademark of IBM Corp. used by Motorola under license from IBM Corp. OS-9 is a trademark of microware.

Hardware:

- Motorola 555 CPU, 40MHz
- Burst RAM 1-4MB, Flash EPROM 2-8MB
- Buffered SRAM 32KB and real time clock
- 2xCAN, Ethernet 10Mb, twisted pair
- Serial V24 and RS485 interface
- QSPI serial high speed interface
- 2x16 digital I/O, 32 A/D inputs
- 40 timer, counter, PWM
- Multi layer board, 100x160mm, +8V..26V/6W
- Expansion connector

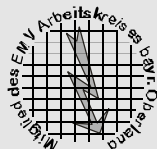
Software:

- Initialization by flash EPROM
- BDM debug interface
- Flash EPROM software
- Initialization source code
- OS-9 real time operating system
- OS-9 Board support package
- C++ compiler / assembler
- TCP/IP support with OS-9
- Support by Internet
- Programming samples

**A joint project between
Fa. Bals, Hard-und Software and Ing. Büro W. Kanis GmbH.**

Entwicklung, Fertigung und Vertrieb von elektronischen Geräten; Plottservice, Leiterplatten, Leiterplattenbestückung

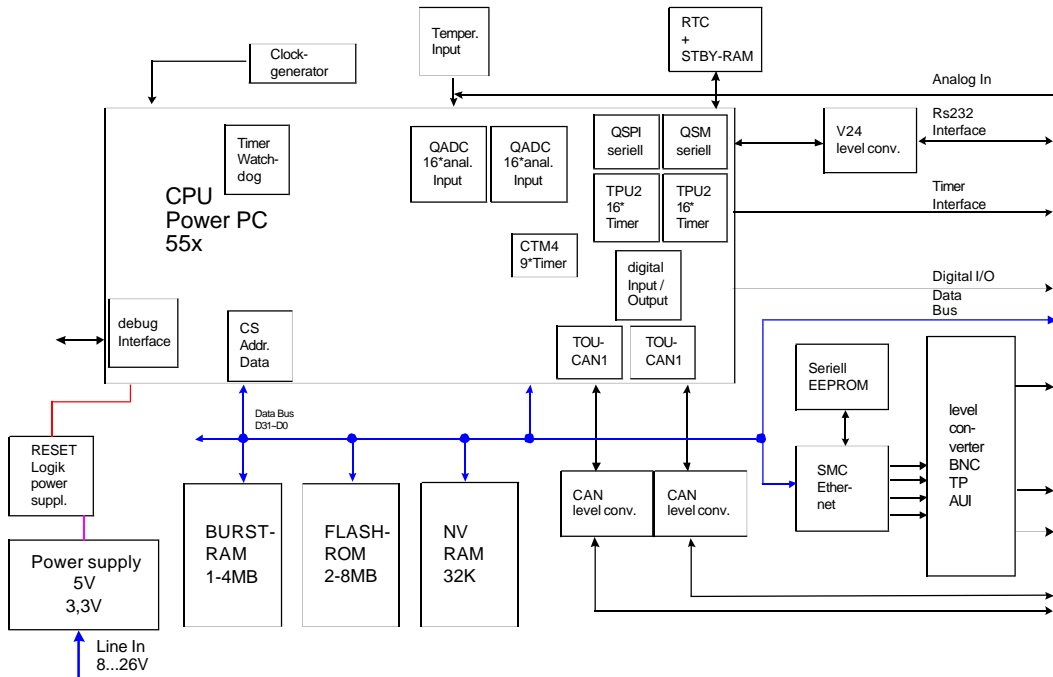
Ing. Büro W. Kanis GmbH
Ortsteil Traubing
Brueckenweg 2
D-82327 Tutzing



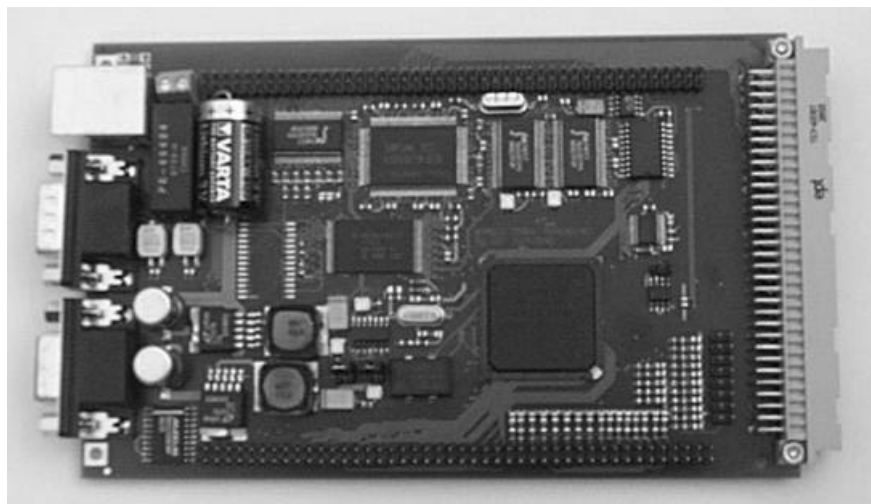
Tel. +49 8157/9355-0
Fax. +49 8157/9355-29
Email info@kanis.de
Internet <http://www.kanis.de>



Block-Diagramm

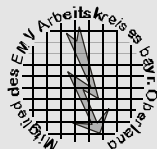


Board



Entwicklung, Fertigung und Vertrieb von elektronischen Geräten; Plottservice, Leiterplatten, Leiterplattenbestückung

Ing. Büro W. Kanis GmbH
Ortsteil Traubing
Brueckenweg 2
D-82327 Tutzing



Tel. +49 8157/9355-0
Fax. +49 8157/9355-29
Email info@kanis.de
Internet <http://www.kanis.de>

Order Information

1. Hardware

CD and hardware

tested board, 2MB ROM and 4 MB RAM
complete documentation
original Motorola include files

order number: PLB-97716-000

2. Native Software

on CD

source code for driver: serial interface,
CAN-BUS, complete I/O, timer, flash loader

order number: SFT-99959-000

3. OS-9 Board Support Package

on CD

OS-9 Board Support Package (BSP)
OS-9 driver for complete I/O handling
OS-9 TCP/IP driver

order number: SFT-99958-000

4. Complete Developing System

OS-9 BSP order number: SFT-99958-000

and

Hawk (for information and orders please contact
RadiSys Corporation, <http://www.radisys.com>)