

NO RISC, NO FUN

565_EMUF

This board, is based on the well known PowerPC[®]-RISC-CPU of Motorola, like the OAK_EMUF. Installed is a special version, with integrated Flash which includes chip select logic, timer, counter and interrupt management, CAN, TUP and many other features. An independent floating point increases high performance. Fast Burst RAMs are used for constant high throughput also in large applications. 32 bit connection of ASIC and CPU enables you to to run functions parallel in CPU and ASIC, e.g. to shift IP-functions to the ASIC. Documentation (hardware, sample source code, data sheets, listings, setup samples, etc.) are available on CD.

PowerPC is a trademark of IBM Corp. used by Motorola under license from IBM Corp. OS-9 is a trademark of microware.

Hardware:

- Motorola 565 CPU, 40MHz
- Actel ProASIC PLUS Flash FPGAs (APA)
- 2xFlash EPROM 1Mx16bit
- 2xBurst SRAM 1Mx36bit
- 3xCAN
- Ethernet 100Mb, twisted pair
- Serial V24 and RS485 interface
- QSPI serial high speed interface
- 2x16 digital I/O, 48 A/D inputs
- 40 timer, counter, PWM
- Debug interface: BDM and Nexus
- LEDs for power, reset, I/O, network and debug
- reset button
- Multi layer board, +8V..45V/6W
- Expansion connector

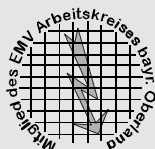
Software:

- Initialization by flash EPROM
- BDM debug interface
- Flash EPROM software
- Initialization source code
- OS-9 real time operating system
- OS-9 Board support package
- C++ compiler / assembler
- TCP/IP support with OS-9
- Support by internet
- Programming samples

**A joint project between
Fa. Bals, Hard-und Software and Ing. Büro W. Kanis GmbH.**

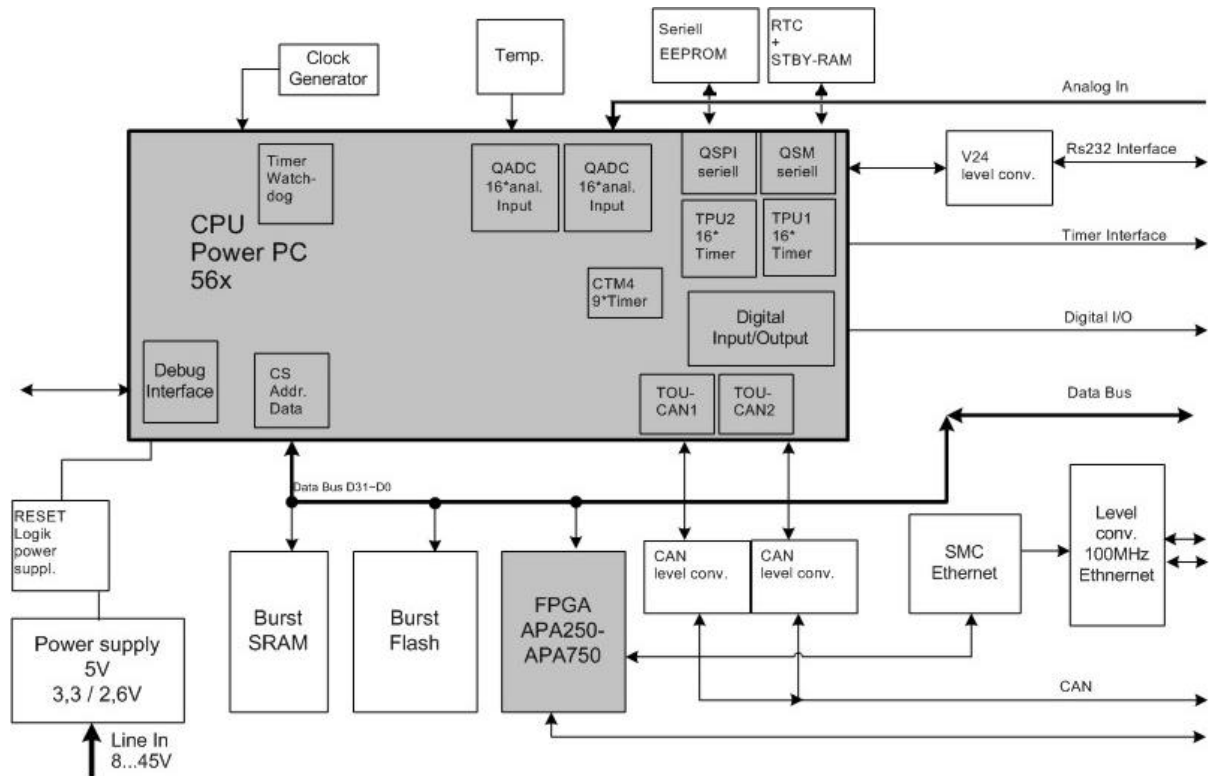
Entwicklung, Fertigung und Vertrieb von elektronischen Geräten; Plottservice, Leiterplatten, Leiterplattenbestückung

Ing. Büro W. Kanis GmbH
Ortsteil Traubing
Brueckenweg 2
D-82327 Tutzing

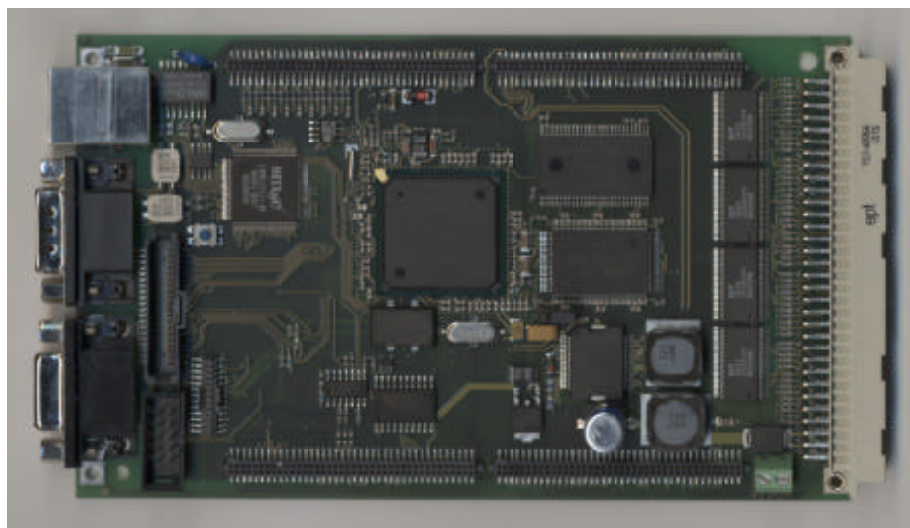


Tel. +49 8157/9355-0
Fax. +49 8157/9355-29
Email info@kanis.de
Internet <http://www.kanis.de>

Block-Diagramm

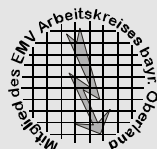


Board



Entwicklung, Fertigung und Vertrieb von elektronischen Geräten; Plottservice, Leiterplatten, Leiterplattenbestückung

Ing. Büro W. Kanis GmbH
 Ortsteil Traubing
 Brueckenweg 2
 D-82327 Tutzing



Tel. +49 8157/9355-0
 Fax. +49 8157/9355-29
 Email info@kanis.de
 Internet <http://www.kanis.de>

Order Information

1. Hardware

565_EMUF

Tested board, Actel ProASIC PLUS optional,
other RAM/ROM on demand, complete documentation

order number: PLB-97415-000

Actel APA750

ProASIC PLUS Flash FPGAs, PQFP208,
(other devices of this family on demand)

order number: ICP-99927-000

2. Native Software

on CD

source code for driver: serial interface,
CAN-BUS, complete I/O, timer, flash loader

order number: SFT-xxxxx-000

3. OS-9 Board Support Package

on CD

OS-9 Board Support Package (BSP)
OS-9 driver for complete I/O handling
OS-9 TCP/IP driver

order number: SFT-xxxxx-000

4. Complete Developing System

OS-9 BSP order number: SFT-xxxxx-000
and

Hawk (for information and orders please contact
RadiSys Corporation, <http://www.radisys.com>)